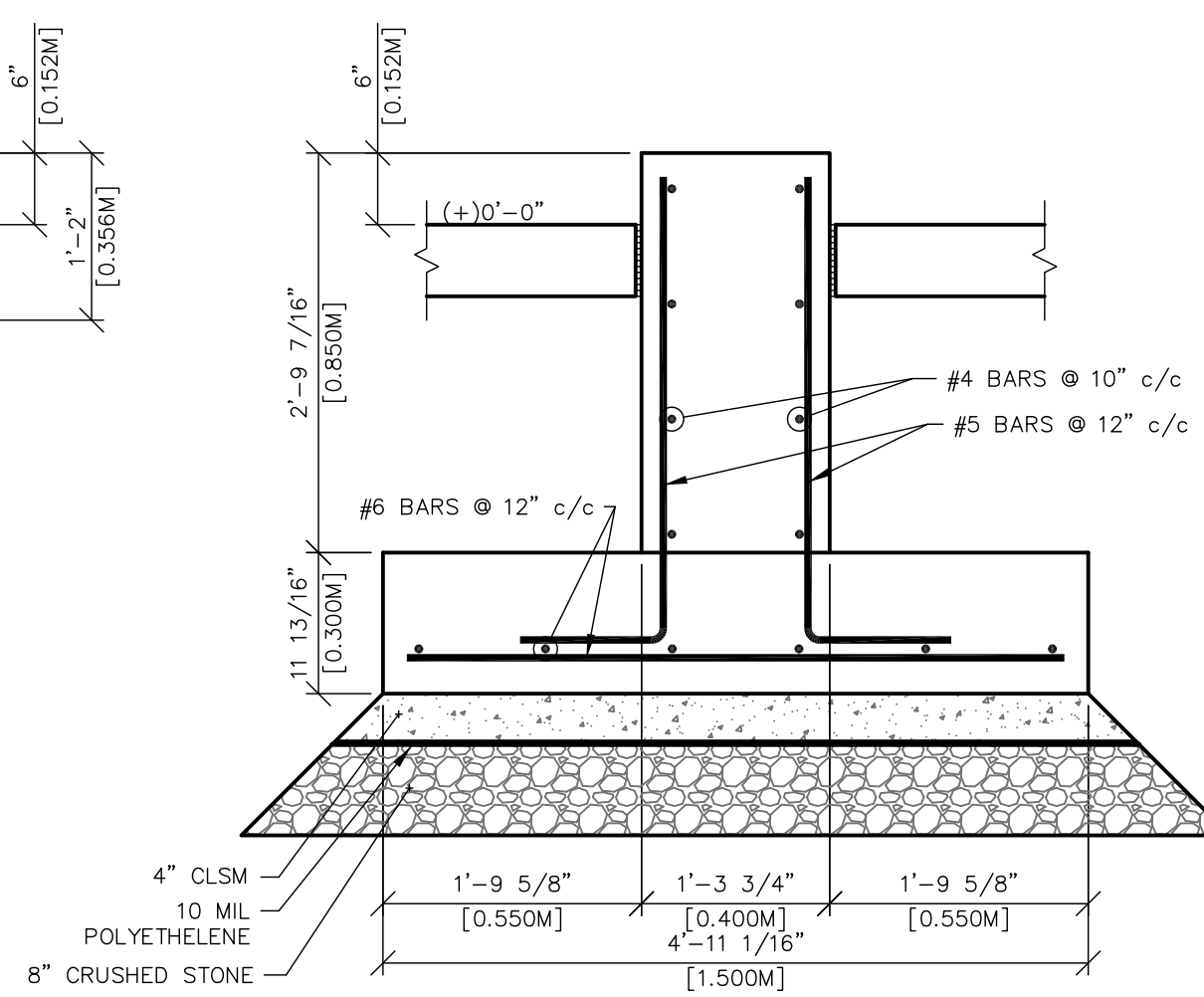
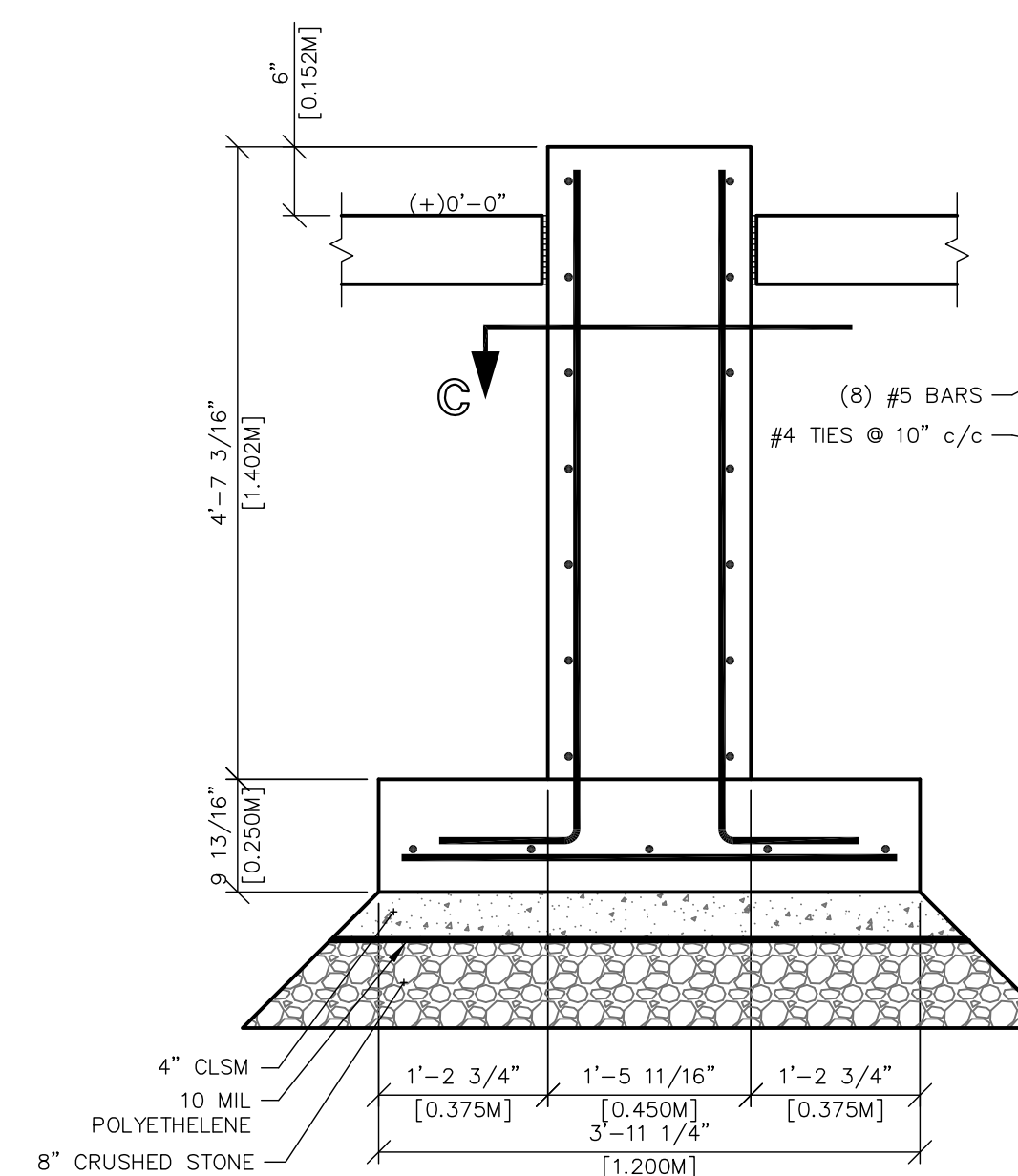


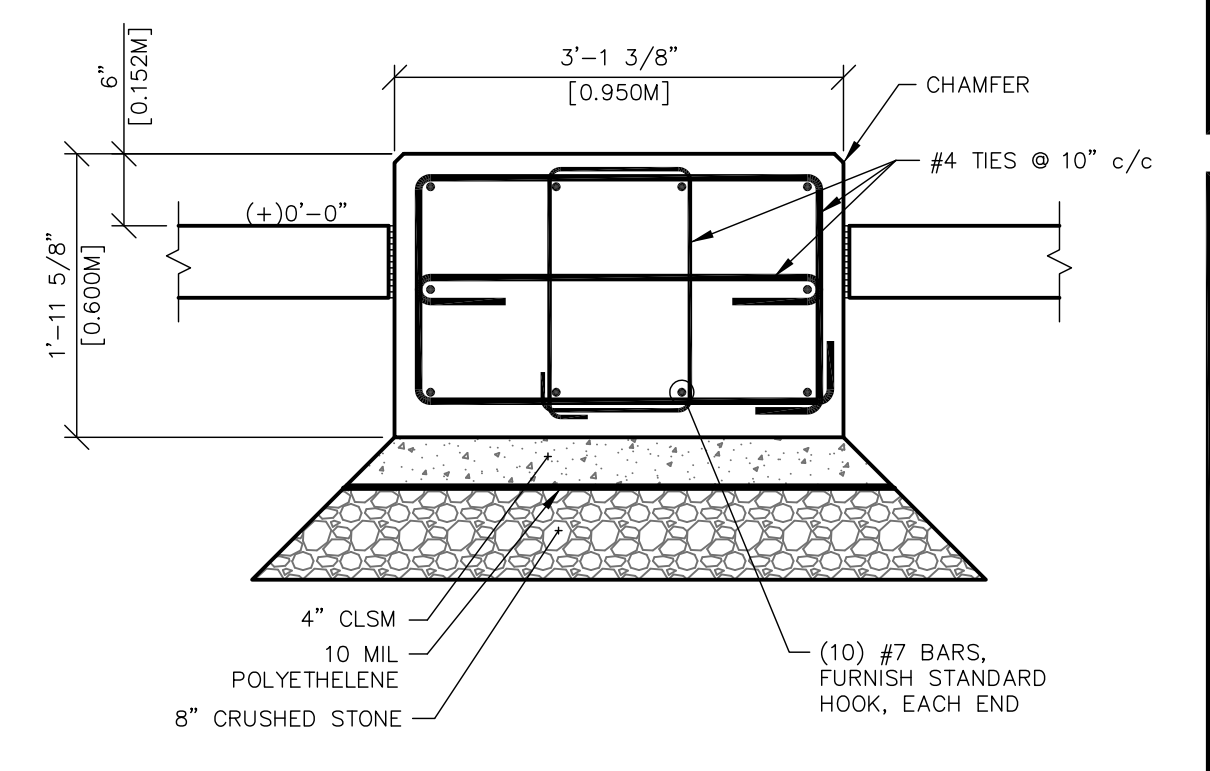
1 SECTION
PS512 TYPICAL TOWER PAD



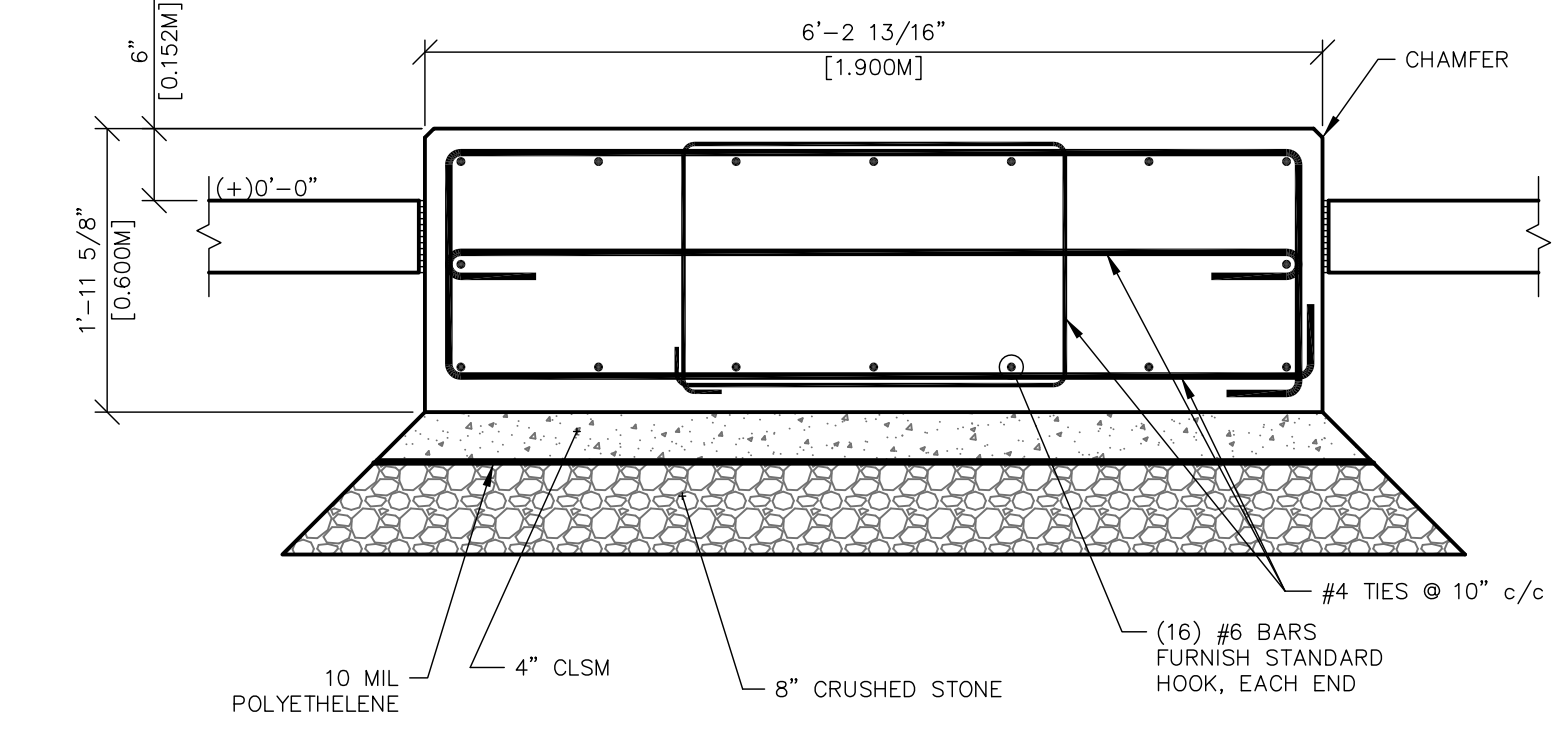
2 SECTION
PS512 TYPICAL TOWER PAD



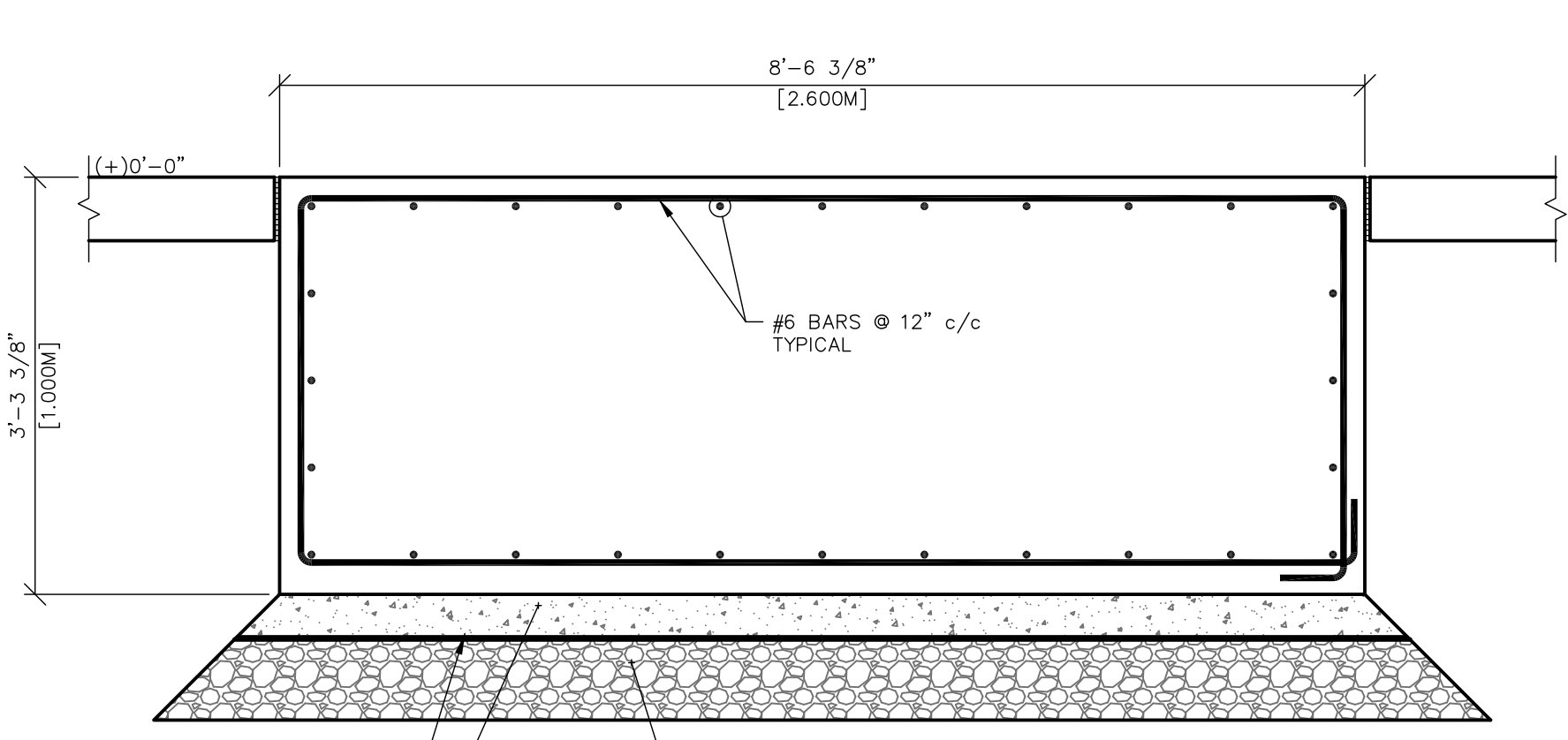
3 SECTION
PS512 TYPICAL TOWER PAD



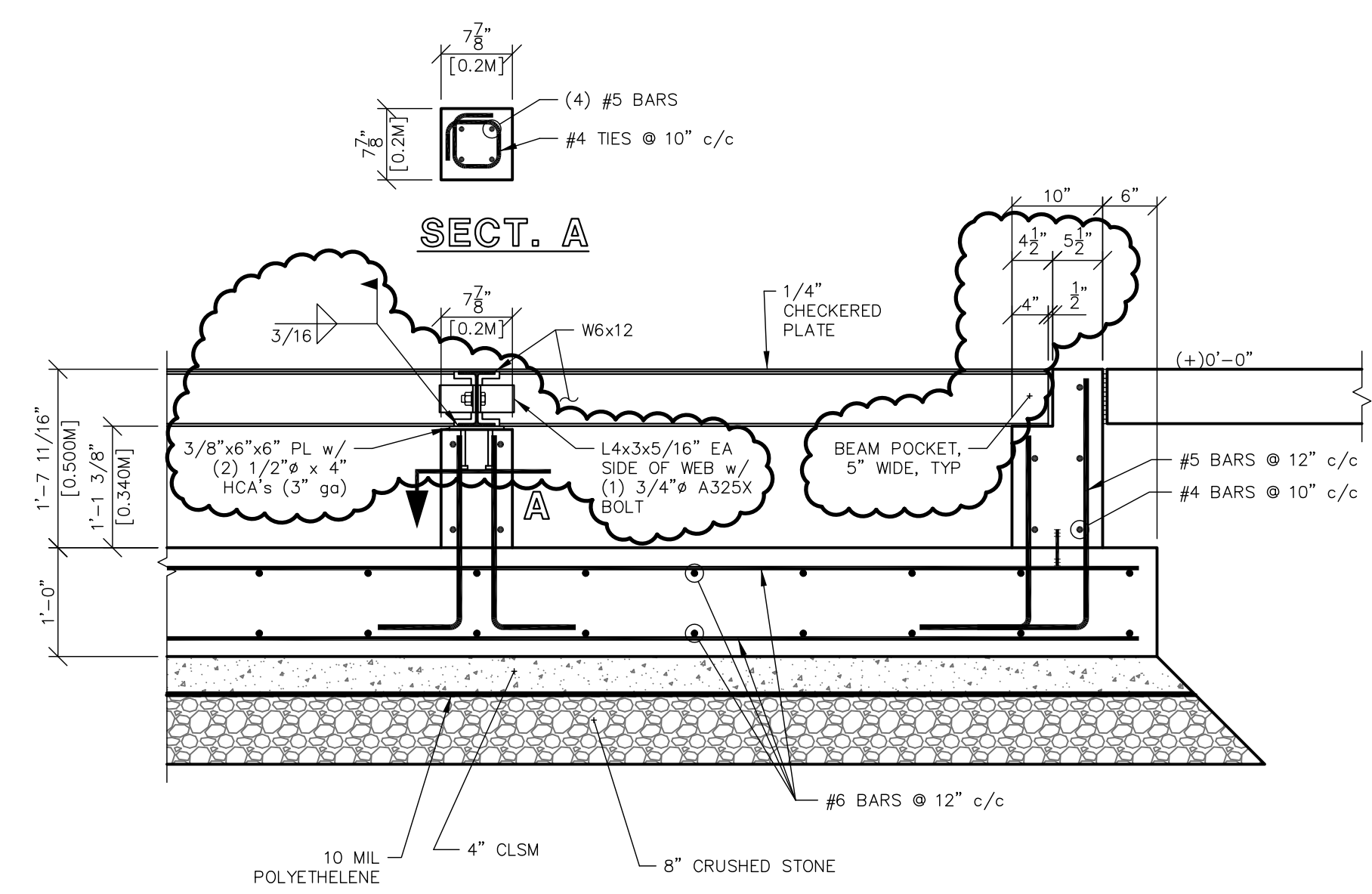
4 SECTION
PS512 TYPICAL TOWER PAD



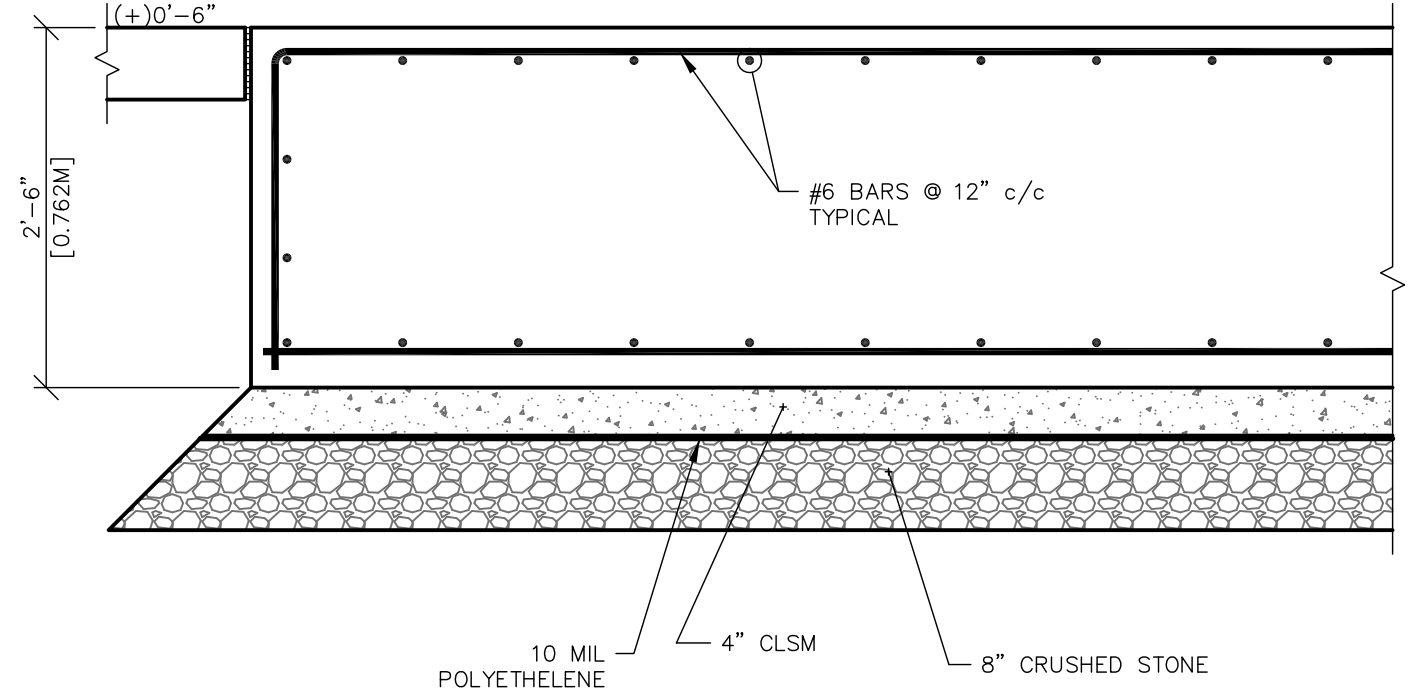
5 SECTION
PS512 TYPICAL TOWER PAD



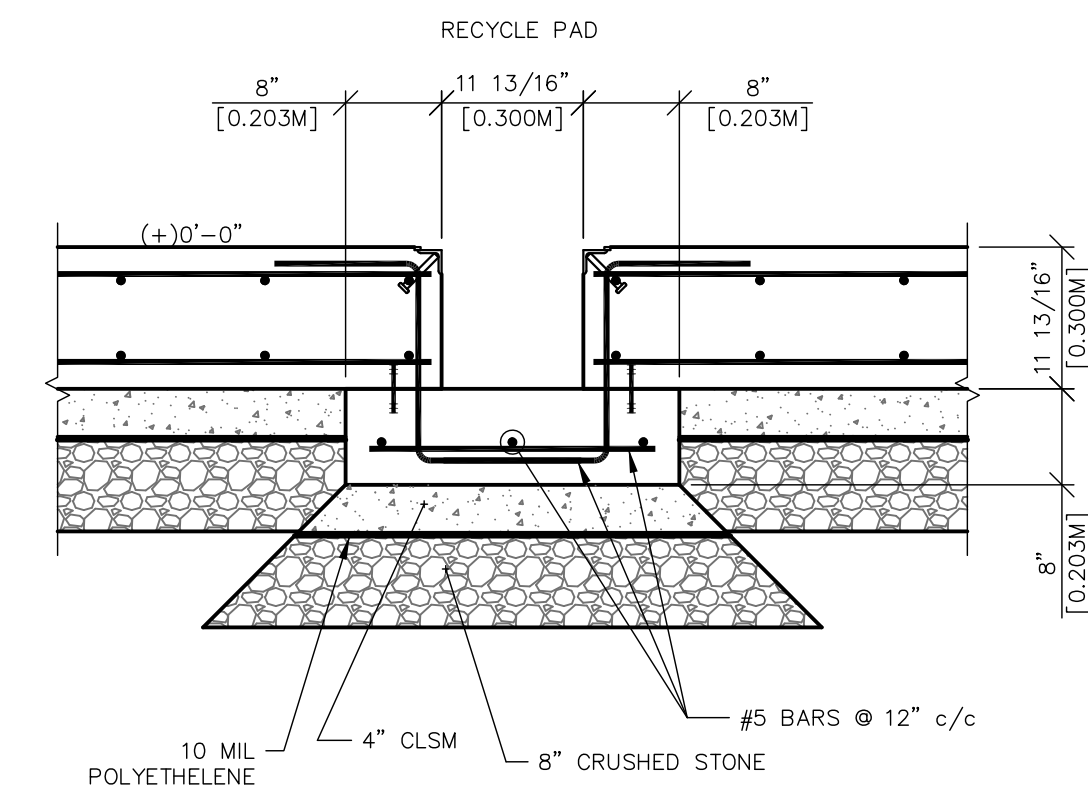
6 SECTION
PS512 TYPICAL CHIMNEY



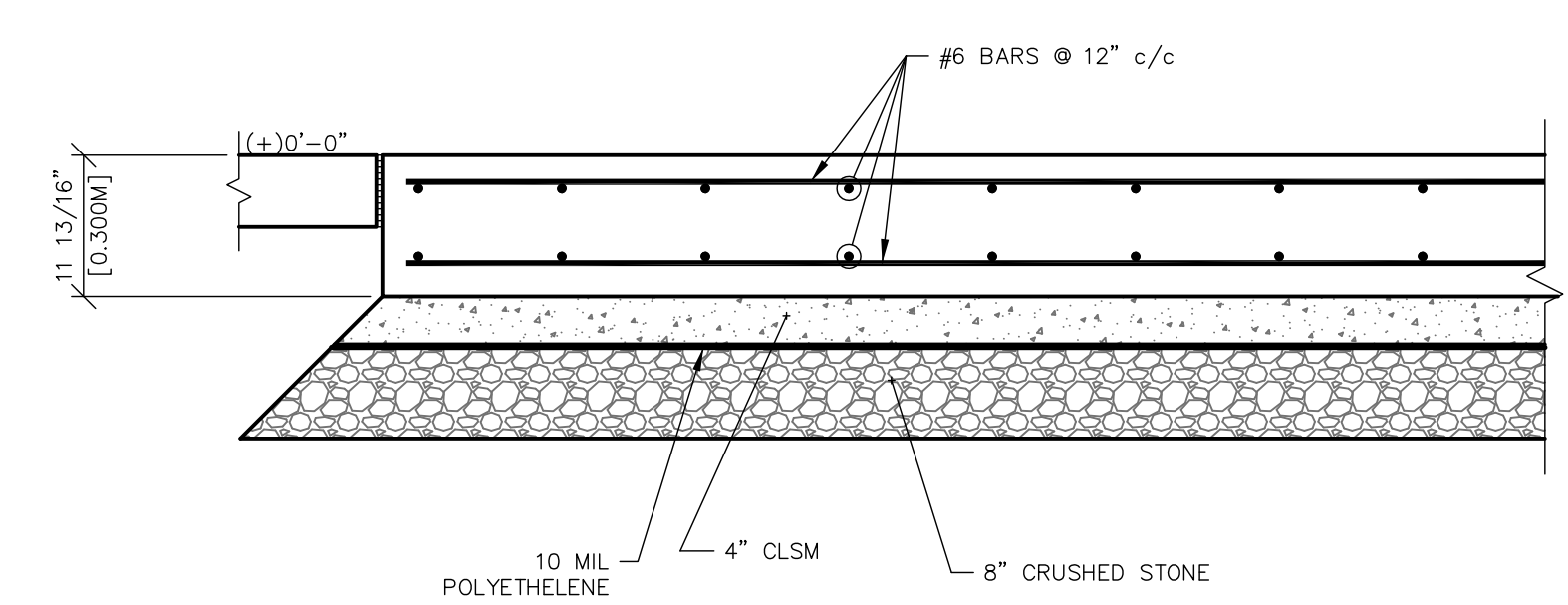
7 SECTION
PS512 MDO



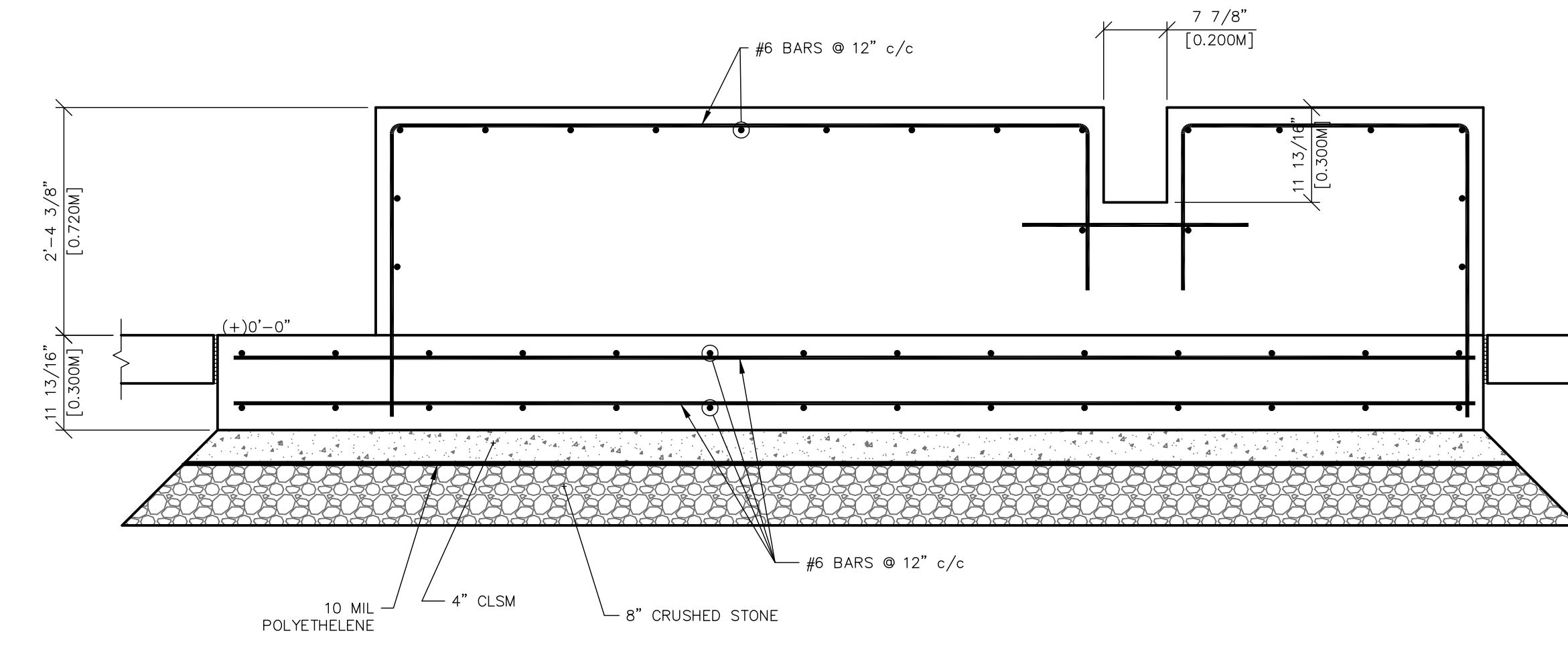
8 SECTION
PS512 SILO PAD



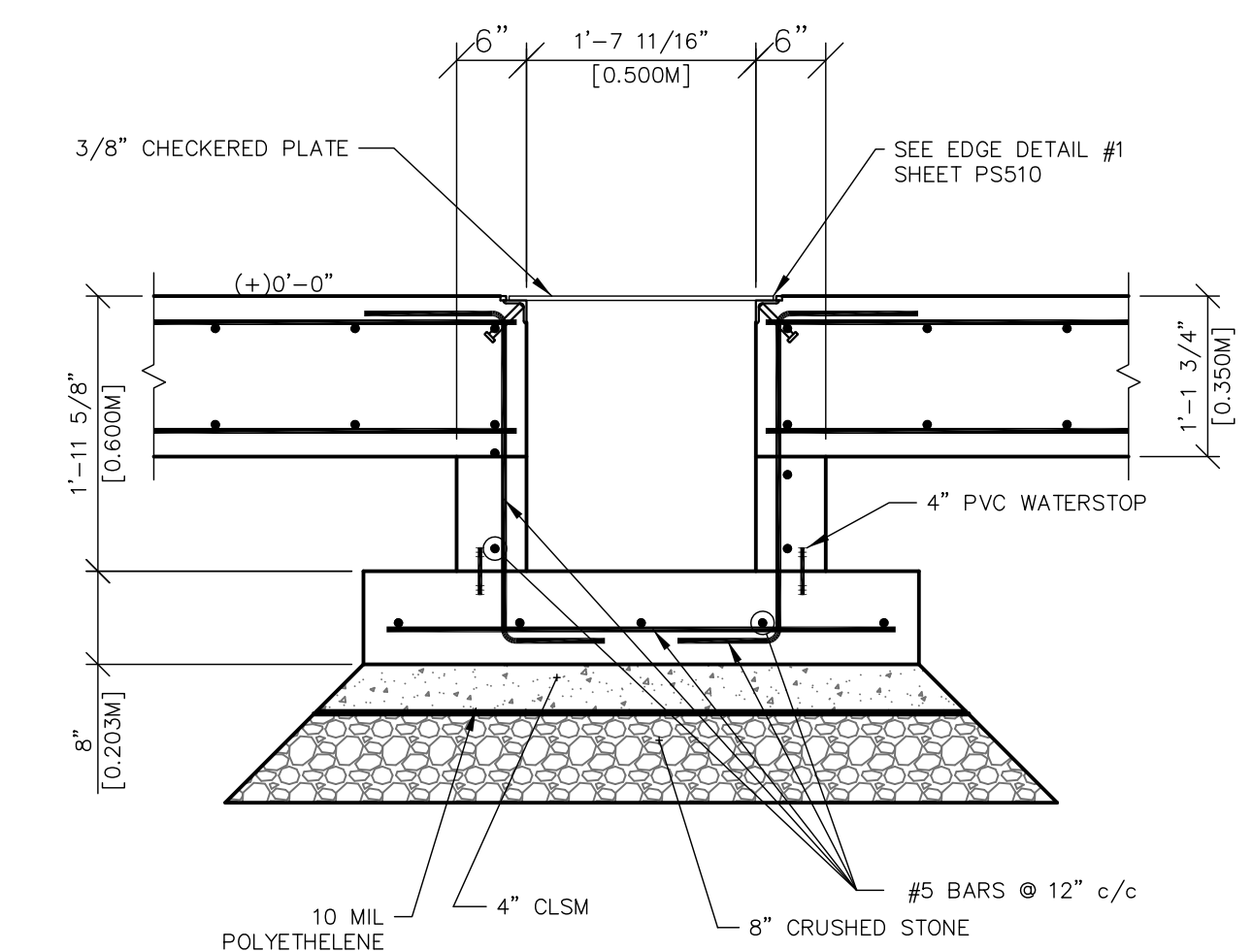
9 SECTION
PS512 RECYCLE PAD



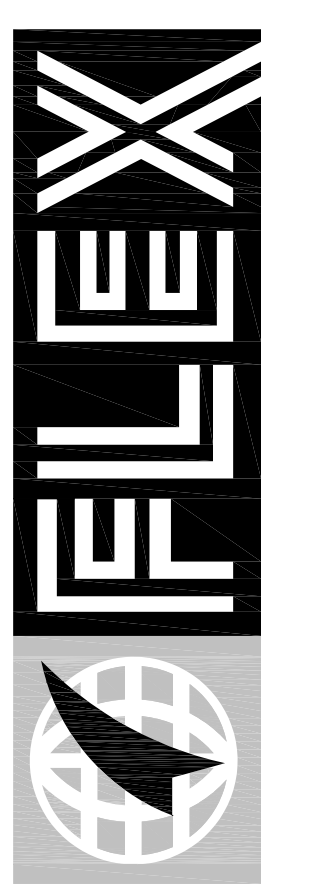
10 SECTION
PS512 RECYCLE SLAB



11 SECTION
PS512 RECYCLE BLOCK



12 SECTION
PS512 TDO, PPS, TUT



FLEX FILMS (USA) INC.
1221 NORTH BLACK BRANCH ROAD
ELIZABETHTOWN, KENTUCKY 42702

PROJECT L-12 BOPET U.S.A.

DATE	REVISION	NUMBER	DESCRIPTION
01-04-12	REVISION	TWO	
01-04-12	REVISION	NUMBER 3	

PROJECT NO. 9524-02	DESIGNED BY EHF	CHECKED BY FHF	DATE JULY 2011
DRAWN BY GPT/EFH	REVIEWED BY	SCALE AS NOTED	

nse
OF KENTUCKY, INC.
624 Wellington Way
Lexington, KY 40503
Phone: (606) 223-5694
Fax: (606) 223-5697
www.nseinc.com

DRAWING NO.
UFL-L12
PS-512

EQUIPMENT FOUNDATION SECTIONS